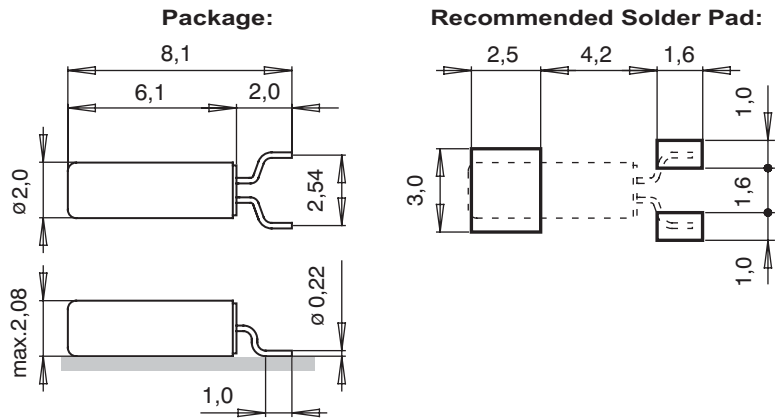


MX1V-T1K

Tuning Fork Crystal 30 kHz – 200 kHz



DIMENSIONS



All dimensions in mm typical

Small tubular metal-can package
Package height 2.08 mm max.
Formed leads for SMD mounting
Industrial temp. range
Very price competitive
High stability
Low aging
Low power consumption
High shock and vibration resistance

DESCRIPTION:

The MX1V-T1K is a tubular $\varnothing 2 \times 6$ mm metal-can package with formed leads, intended for surface mounting and reflow soldering.

Within the package is a high-quality tuning fork quartz crystal resonator, manufactured with a precision high-volume photolithographic process and operating in the fundamental mode.

Due to highly automated, large-volume production, the MX1V-T1K is very price competitive and ideal for any consumer and industrial applications.

For pick-and-place equipment, the crystals are supplied in 16 mm tape: 13" (330 mm) reel with 8'000 crystal

ELECTRICAL CHARACTERISTICS AT 25°C:

Frequency Range	F_L	30–200	kHz
Load capacitance ¹⁾	C_L	10.0 / 12.5	pF
Frequency tolerance ²⁾	$\Delta F/F$	+/-20	ppm
	$\Delta F/F$	+/-30	ppm
	$\Delta F/F$	+/-100	ppm
Drive level max.	P	1.0	μW
Insulation resistance min.	R_i	500	M Ω
Aging first year max.	$\Delta F/F$	+/-3	ppm

Frequency Example ³⁾	F_L	32.768	38.400	76.800	kHz
Series resistance typ./max.	R_s	40 / 55	32 / 50	13 / 20	k Ω
Motional capacitance typ.	C_1	2.1	2.1	1.35	fF
Static capacitance typ.	C_0	0.9	0.9	0.9	pF
Turnover temperature	T_0	25 +/-5	25 +/-5	22 +/-5	$^{\circ}C$
Frequency vs. temperature	$\Delta F/F_0$	-0.035 ppm/ $^{\circ}C^2 (T - T_0)^2$ +/-10%			ppm

1) For standard and other load capacitances consult factory.

2) Tighter and wider frequency tolerances on request.

3) Values for other frequencies consult factory.

STANDARD FREQUENCIES:

Frequency kHz				
32.000	32.768	38.400	40.000	40.003
49.152	60.000	60.002	65.536	75.000
76.800	77.500	77.503	100.000	153.600
Other frequencies on request				

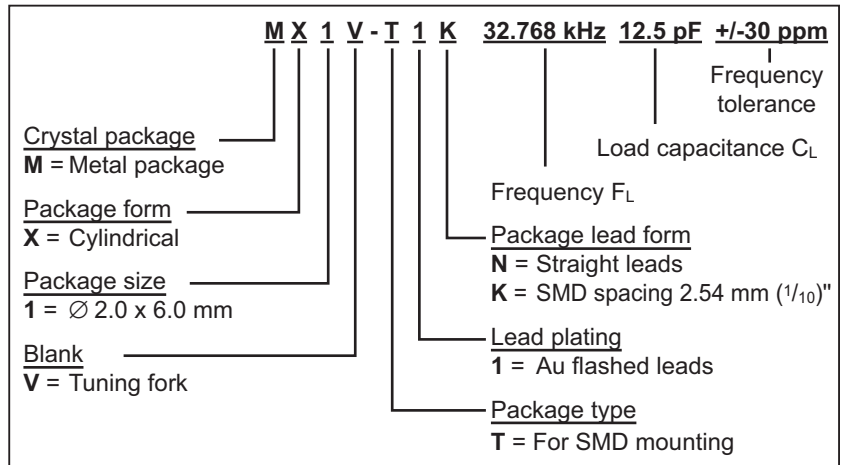
ENVIRONMENTAL CHARACTERISTICS:

		Conditions	Max. Dev.
Storage temp. range		-55 to +85°C	
Operating temp. range		-40 to +85°C	
Shock resistance	$\Delta F/F$	5000 g, 0.3 ms, 1/2 sine	+/-5 ppm
Vibration resistance	$\Delta F/F$	20 g / 10-2000 Hz	+/-5 ppm

TERMINATIONS AND PROCESSING:

Type	Termination	Processing
MX1V-T1K	Can: Au flashed Leads: Formed leads Au flashed	For SMD mounting Reflow soldering 260°C / 20 sec. max

PART NUMBER/ ORDERING INFORMATION EXAMPLE:



All specifications subject to change without notice. 01.06



A COMPANY OF THE **SWATCH GROUP**

Headquarters:

Micro Crystal
Div. of ETA SA
Mühlestrasse 14
CH-2540 Grenchen
Switzerland
Tel. +41 32 655 82 82
Fax +41 32 655 82 83
sales@microcrystal.ch
www.microcrystal.ch

North American Sales Office:

Micro Crystal
A Div. of The Swatch Group (U.S.) Inc.
1615 Barclay Boulevard
Buffalo Grove, IL 60089
USA
Tel. +1 847 818 9825
Fax +1 847 818 9915
sales@microcrystal.com
www.microcrystal.com