

Panel printers

FT190/FH190

CUSTOM
TECNOLOGIE ELETTRONICHE APPLICATE

Impact and thermal panel printers series paper width 57,5mm $\pm 0,5$, suitable for applications in measuring instruments, weighing, control, antitheft systems, gas analysers and panel tools.

Almost flush frontal frame and friendly installation.

Multipurpose fixing to different panel thicknesses.

When the front panel opens up, all the mechanical parts take a position which makes paper loading easier.

Equipped with end-of-paper sensor.

Serial or parallel interfaces.

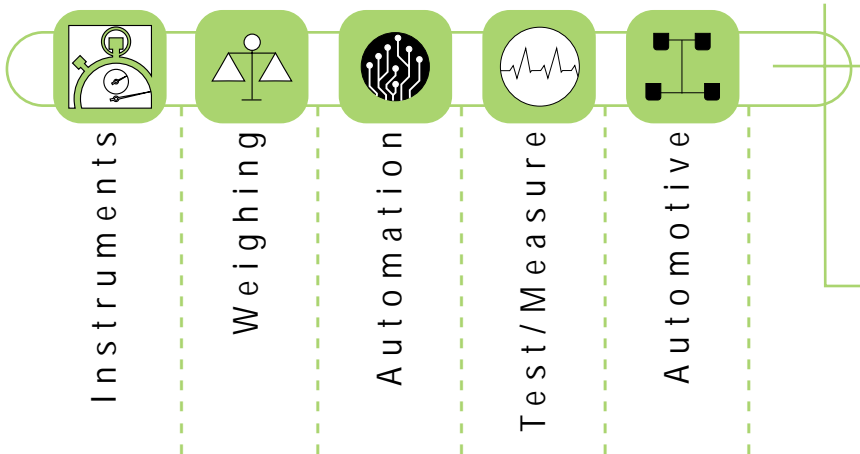
Power supply from 5 to 40 Vdc.

Most common barcodes printing: UPC-A, UPC-E, EAN 13, EAN 8, CODE 39, INTERLEAVED 2-5, CODABAR.

Double colour thermal printing (red/black - blue/black)

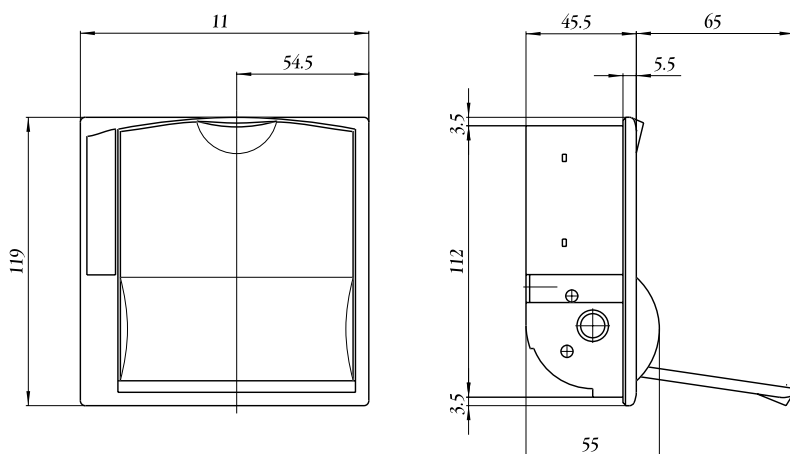


Data are subject to change without notice - Vers. 3.0 07/2001



TECHNICAL SPECIFICATIONS FT190/FH190

Model	FT 190-24	FT 190-40	FH 190-24	FH 190-40
Columns	24	40	24	40
Character (L x H mm)	2 x 3	1,1 x 2	1,7 x 2,6	1,1 x 2,6
Character matrix	16 x 24	9 x 10	6 x 10	
Graphic dot	8 dot/mm		0,33 x 0,38	0,19 x 0,38
Dots per line	384		144	240
Printing speed (cm/sec)	3		-	-
Lines/second	9,3	14	3,3	1,5
Character/second	223	560	80	60
Printing method	Fixed thermal head		Impact dot matrix	
Writing method	Straight, reverse, 90°		Impact dot matrix	
Print formats	Normal, double or quadruple height and width, negative, underscored, enlarged		Normal, double height and width, enlarged	
Character set	2 fonts		2 fonts	
Paper width	57,5 mm ± 0,5 mm			
Roll diameter	ø 50 mm max			
Buffer	1 kb		1 Kb	
Barcodes	7 barcodes		No	
Flash memory	64 Kb			
Drivers	Windows™ 95, 98, me, NT4, 2K			
Interfaces	Serial and TTL parallel. Opzioni: RS232, centronics			
Real time clock	Available (optional)			
Power supply	5 Vdc ± 10% (9-40 Vdc options)			
Electrical input	14 W (printing average)		5W (printing average)	
MTBF	50 Km printed paper		1.500.000 lines	



Panel printers

FT190/FH190

CUSTOM
TECNOLOGIE ELETTRONICHE APPLICATE

www.custom.it

www.smice.com

World Headquarters

CUSTOM ENGINEERING SPA

Via Berettine, 2 - 43010 Fontevivo Parma Italy
Tel. +39-0521-680111 Fax +39-0521-610701
www.custom.it e-mail: custom@custom.it

Branch Offices

Via Pavia, 10 - 20053 Muggiò Milano Italy
Tel.: +39-039-2144280 Fax +39-039-2144249
www.custom.it e-mail: custom.milano@custom.it

10886 East Raintree Drive
Scottsdale, AZ 85259 USA
Tel. +1-480-502-2611 Fax +1-480-502-2588
www.custom.it e-mail: us.sales@custom.it

UNI EN ISO 9001
CERTIFIED QUALITY
SYSTEM



M.U.R.S.T.
Professional
Registration
no. 50846 ZYZ
Ref. Official Gazette
no. 117 22 May 2000